



## PDE Battery Enclosure



***Stainless Steel Battery Enclosure for use in Zone 1 Hazardous Areas.***

***II 2G EEx e II T6***

***-20°C to +40°C***

***IP56***

## Overview

A rugged and compact rechargeable battery enclosure for use in the hazardous area.

The durable battery box is top opening and constructed from 316L stainless steel.

The battery enclosure houses up to four APB-1295 lead acid batteries (see separate datasheet). These advanced technology batteries provide superior performance and cycle life when compared to conventional gelled electrolyte batteries. The battery enclosure can be recharged in the hazardous area.

## Features

Robust Design  
Top Opening  
Lockable  
Low Maintenance  
Rechargeable in the Hazardous Area



## Specification

<b>Housing</b>	316L Stainless Steel
<b>Ingress Protection</b>	IP56
<b>Voltage/Capacity/Weight</b>	12 VDC @ 230 Ah, 85 Kg 12 VDC @ 460 Ah, 160 Kg 24 VDC @ 115 Ah, 85 Kg 24 VDC @ 230 Ah, 160 Kg 48 VDC @ 115 Ah, 160 Kg
<b>Rechargeable Batteries</b>	2 or 4 Sealed Lead Acid, Type APB-1295
<b>Connections</b>	Via EEx 'e' Cable Glands
<b>Ambient Temperature Range</b>	Operation: -20°C to +50°C Storage: -30°C to +60°C
<b>Maximum Charge Voltage</b>	14.4V per Battery
<b>Maximum Charge Current</b>	40A
<b>Charging Environment</b>	Hazardous or Safe Area
<b>ATEX Certification</b>	ATEX II 2G EEx e II T6





## Ordering Information

### Description

### Part Number

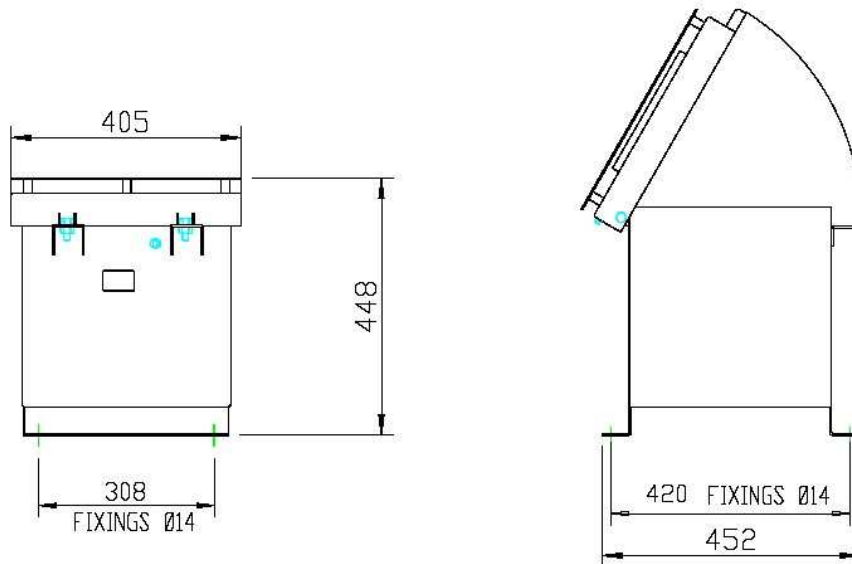
Zone 1 EEx'e' 12volt, 230Ah, Battery Box Assembly, Comprising of :-  
 1 x PDE02C02 Stainless Steel Battery Box, 2 x APB-1295 12volt, 115Ah Maintenance Free Lead Acid Batteries  
 Batteries may be connected in parallel to increase A/Hr or series to obtain 12v operation, Please Specify required voltage on ordering

PDE02C02230

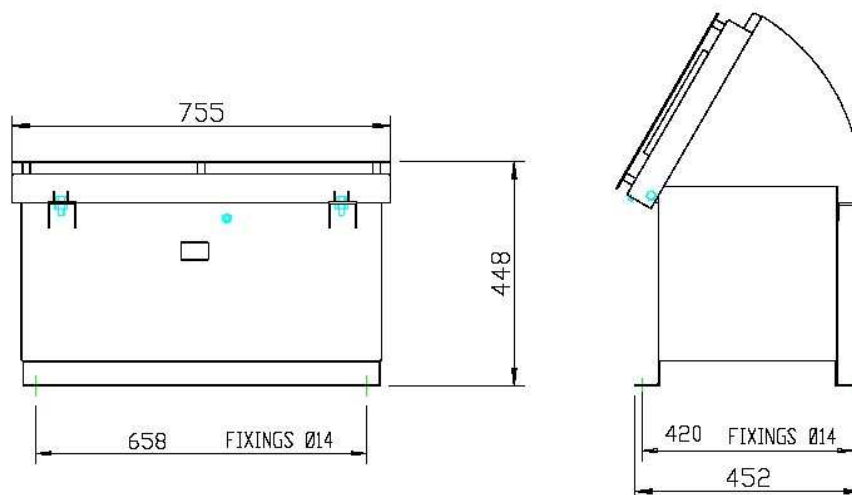
Zone 1 EEx'e' 12volt, 460Ah, Battery Box assembly, Comprising of :-  
 1 x PDE04C02 Stainless Steel Battery Box, 4 x APB-1295 12volt, 115Ah Maintenance Free Lead Acid Batteries  
 Batteries may be connected in parallel to increase A/Hr or series to obtain 12v operation, Please Specify required voltage on ordering

PDE04C02460

## PDE02C02230 Dimensions



## PDE04C02460 Dimensions



Copyright © Extronics Ltd 2009

The information contained in this document is subject to change without notice. Extronics cannot be held responsible for any errors or inaccuracies within this document.



TEL: 44 (0) 1279 219175 Email: [sales@whatpowersupply.com](mailto:sales@whatpowersupply.com)

[www.whatpowersupply.com](http://www.whatpowersupply.com)